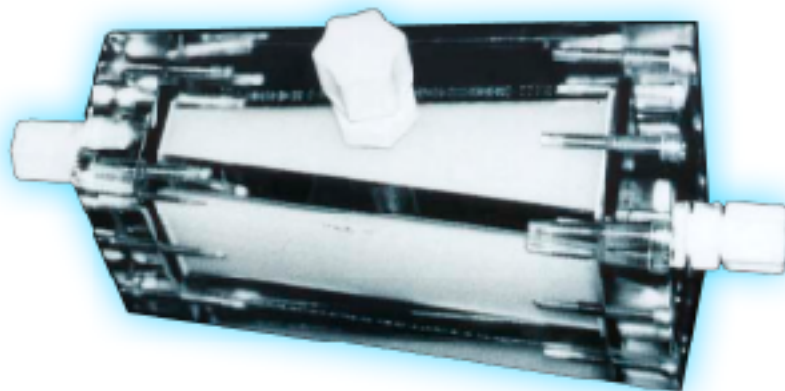




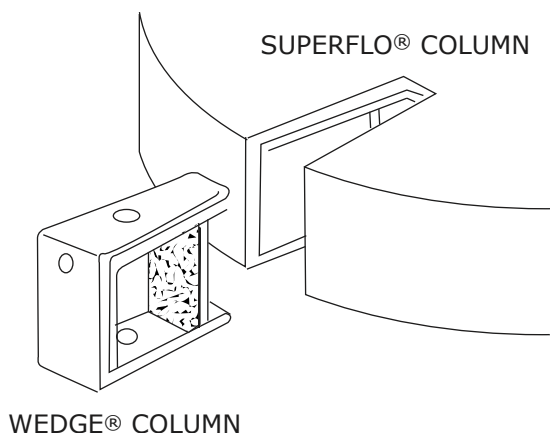
WEDGE® COLUMN



□ Column chromatography is being extensively used as a tool for purifying small quantities of biomolecules from complex mixtures. However, its application for the production of biomolecules from crude sources, in commercially viable quantities, has been restricted. One of the reasons is that until now there has not been much effort put into "in-tandem" design of both production scale and lab scale columns. Consequently, conventional axial process scale columns are not able to support the low cost and high capacity softer media without resulting in high back pressures, over compacting and curtailed resolution. Further, since the separation has to be optimized continuously as the scale of operation changes, valuable time and resources may be sacrificed. Frequently, this can make the difference between finishing successful research

and quickly bringing a product into market at a reasonable cost.

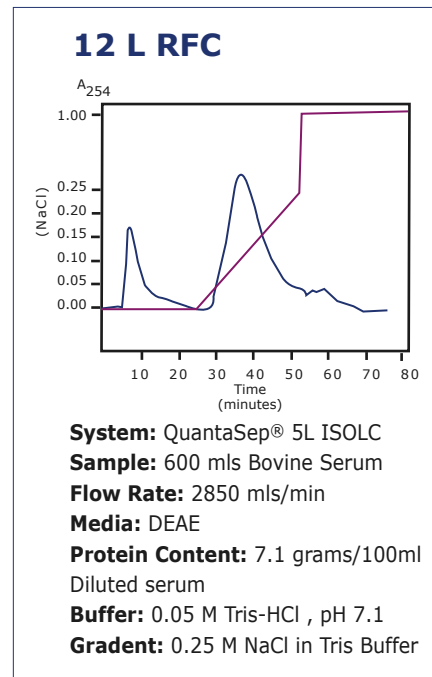
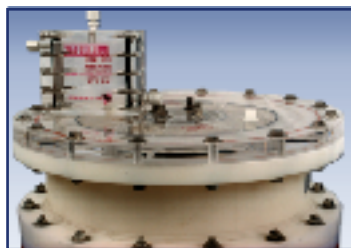
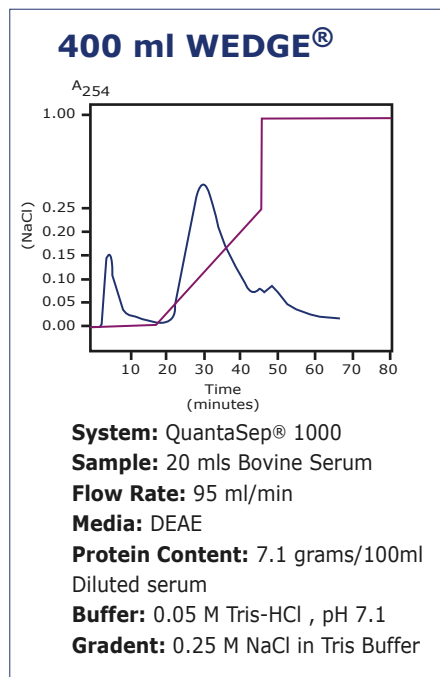
□ Sepragen's dedicated process chromatographic engineers and scientists have responded to this scalability problem by designing the WEDGE® radial column. The WEDGE® fully exploits the separation capability and high capacity of low cost soft media as well as the faster flow media currently available. It does this without compromising performance in terms of chromatographic separation, efficiency and productivity. WEDGE® columns incorporate the patented design of radial flow and traditional axial flow column chromatography. This permits simple linear scale-up of your bioprocess from lab scale axial columns to large-scale radial flow chromatographic columns.



The Benefits

- True Linear Easy Scale-Up
- Easy Validated Packing Procedure
- High Flow Rates with Soft Media
- Low Pressure
- High Productivity
- Higher Yields
- Superior Distribution
- Consistency in Performance

SCALE-UP OF 400ML WEDGE® TO 12L RADIAL FLOW



Ordering Information and Specifications

Product Description	Volume	Nominal Bed Height	Part Number
Acrylic Wedge® 50 Column	50 ml	10 cm	WA-0050-10
Acrylic Wedge® 100 Column	100 ml	10 cm	WA-0100-10
Acrylic Wedge® 250 Column	250 ml	10 cm	WA-0250-10
Acrylic Wedge® 500 Column	500 ml	10 cm	WA-0500-10
Acrylic Wedge® 1000 Column	1000 ml	10 cm	WA-1000-10

All WEDGE® columns are equipped with 10 micron stainless steel frits and are rated for 25 psi. Material of construction acrylic with EDPM seals. The columns exhibit excellent chemical resistance in the range of pH 2-12. Organic Solvents are not recommended. Stainless steel columns with solvent resistant components are also available. WEDGE® columns listed above are standard, however various other sizes or materials of construction are available.



SEPRAGEN
 CORPORATION
 "INNOVATORS IN SEPARATION TECHNOLOGIES"

1205 San Luis Obispo Avenue, Hayward, CA 94544 U. S. A.
 TEL: 510-475-0650 FAX: 510-475-0625
 info@sepragen.com HTTP://WWW.SEPRAGEN.COM